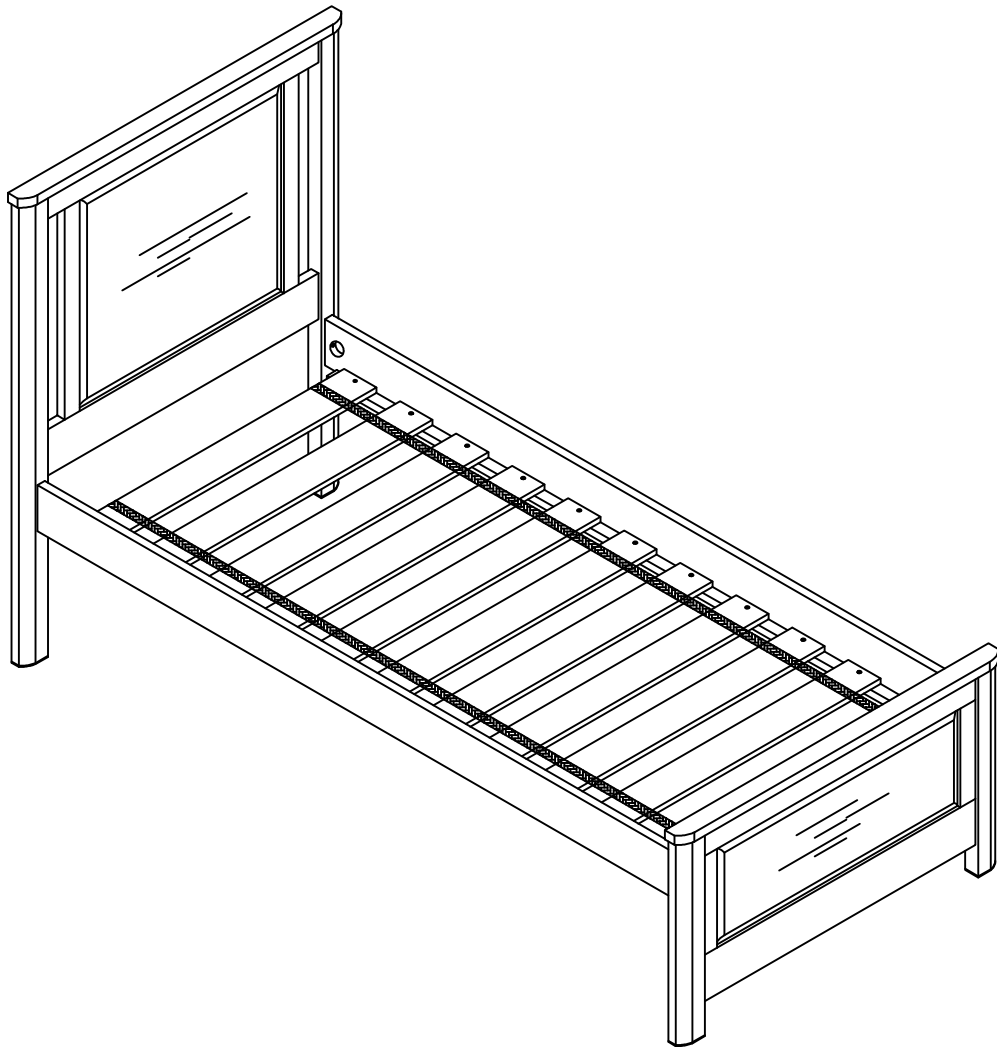


# **orbelle.**

347 Clinton Street  
Hempstead NY 11550  
Tel : 516-481-1500  
See More : [www.orbelle.com](http://www.orbelle.com)

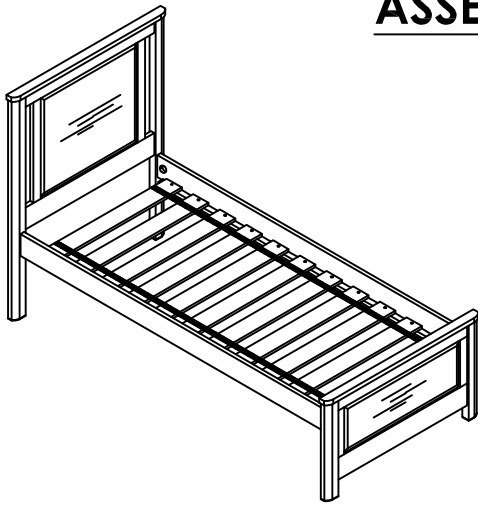
## **TEEN BED : TB 301**



**ONLY FOR ILLUSTRATION**

**MADE IN MALAYSIA**

# ASSEMBLY INSTRUCTIONS



## ASSEMBLY TIPS

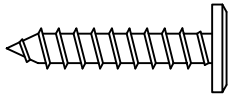
1. Remove hardware from box and sort by size.
2. Please check to see that all hardware and parts are present prior start of assembly.
3. Please follow attached instructions in the same sequence as numbered to assure fast and easy assembly.



## Warning !

1. Don't attempt to repair or modify parts that are broken or defective. Please contact the store immediately.
2. This product is for home use only and not intended for commercial establishments.

## HARDWARE LIST



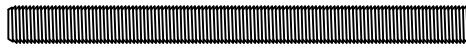
(1) JCBC - W M6 x 30mm  
4pcs



(2) WOOD SCREW  
M4.0 x 30mm  
18pcs



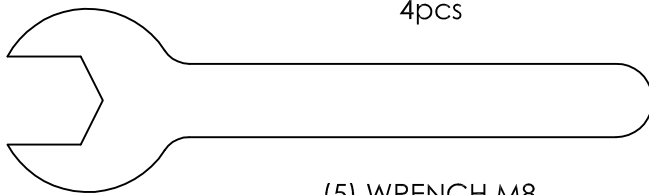
(3) WOOD DOWEL  
Ø10 x 30mm  
8pcs



(4) HANGER BOLT  
M8 x 60mm  
4pcs



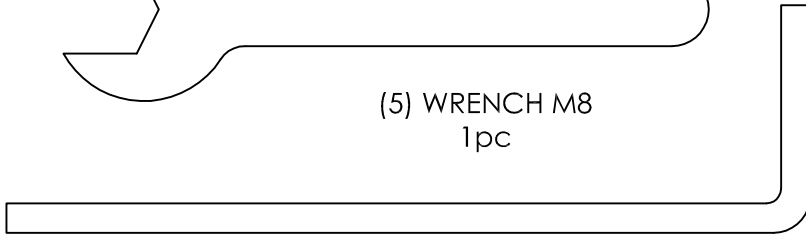
(7) H/M WASHER  
M8  
4pcs



(5) WRENCH M8  
1pc



(8) HEX NUT  
M8  
4pcs



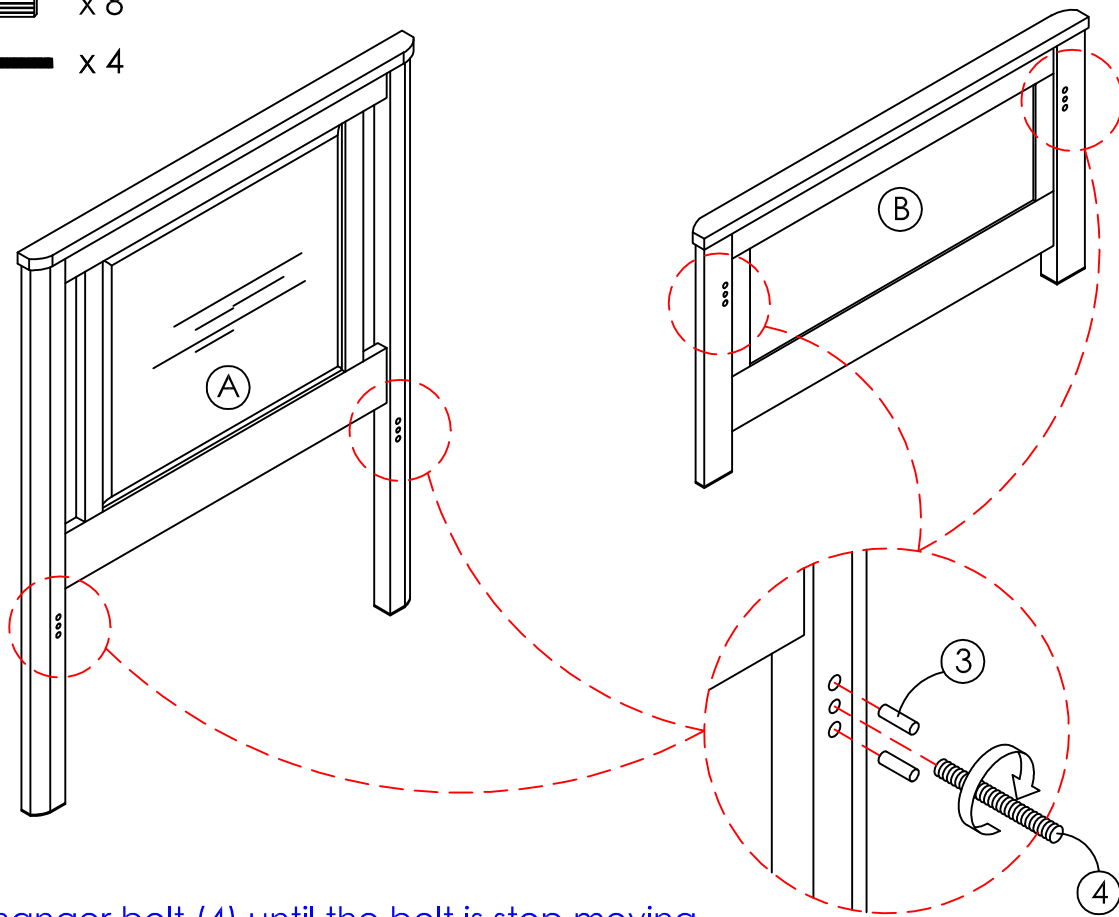
(6) ALLEN KEY M4  
1pc

## COMPONENT LIST

A	<p>HEADBOARD</p>	1 pc	<p>SIDE RAIL</p>	2 pcs
B	<p>FOOTBOARD</p>	1 pc	<p>SLAT</p>	1 set

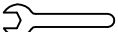
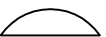

## STEP 1

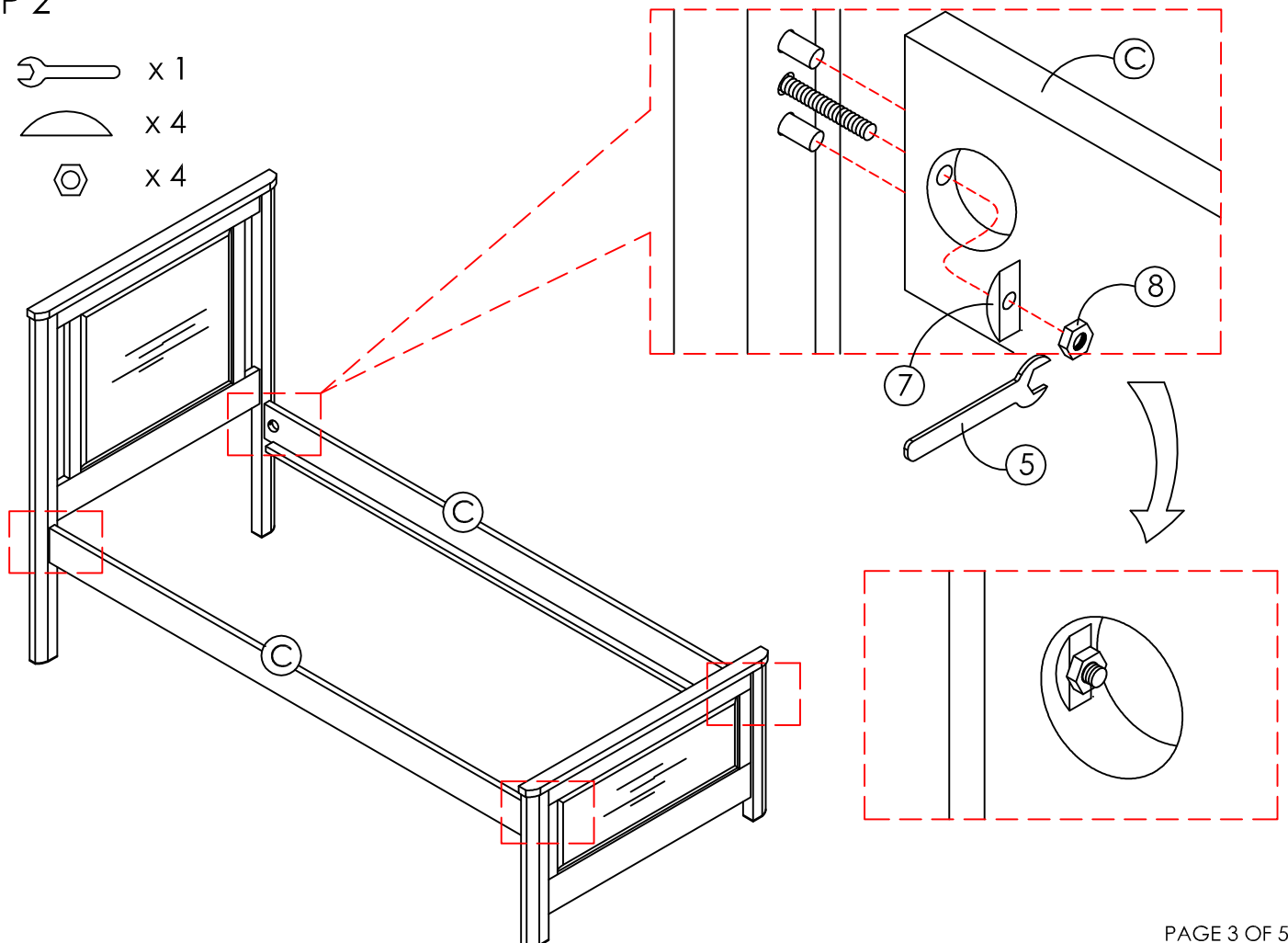
- ③  x 8
- ④  x 4



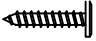

Tighten hanger bolt (4) until the bolt is stop moving.

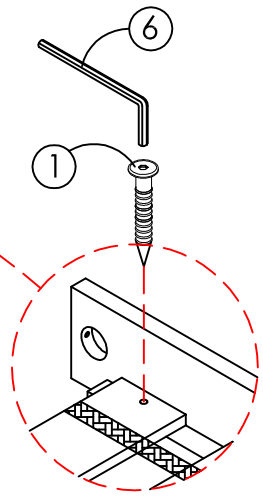
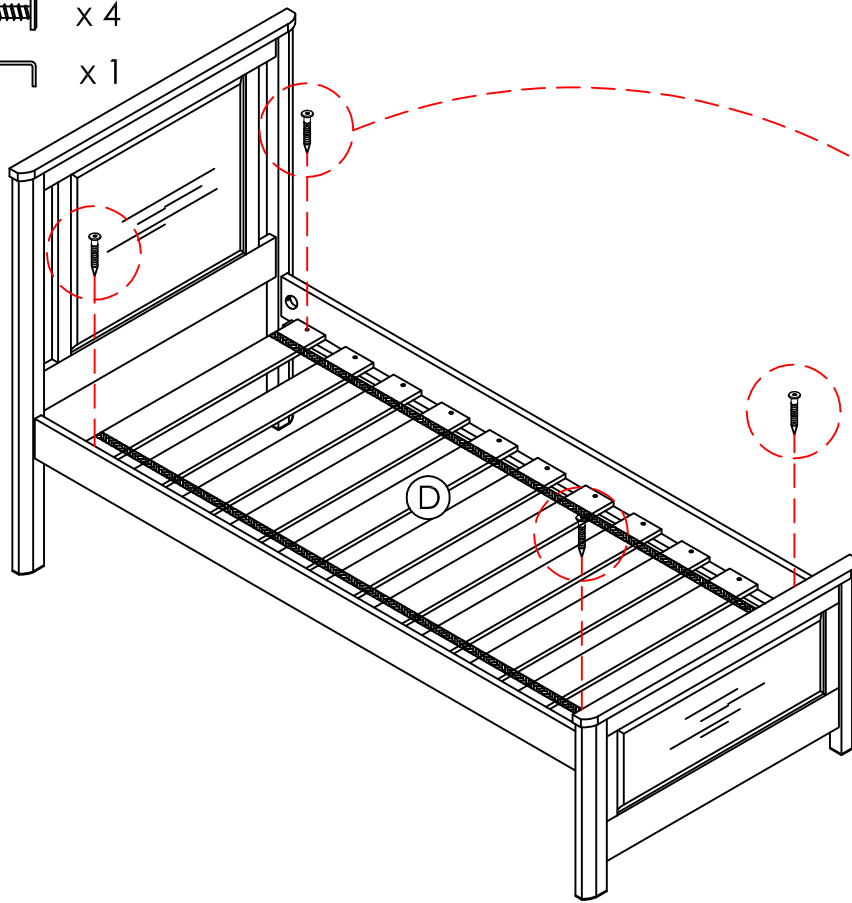
## STEP 2

- ⑤  x 1
- ⑦  x 4
- ⑧  x 4




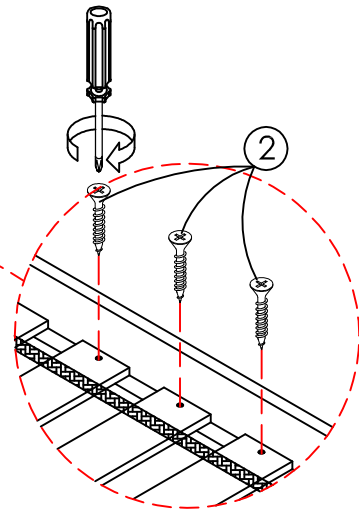
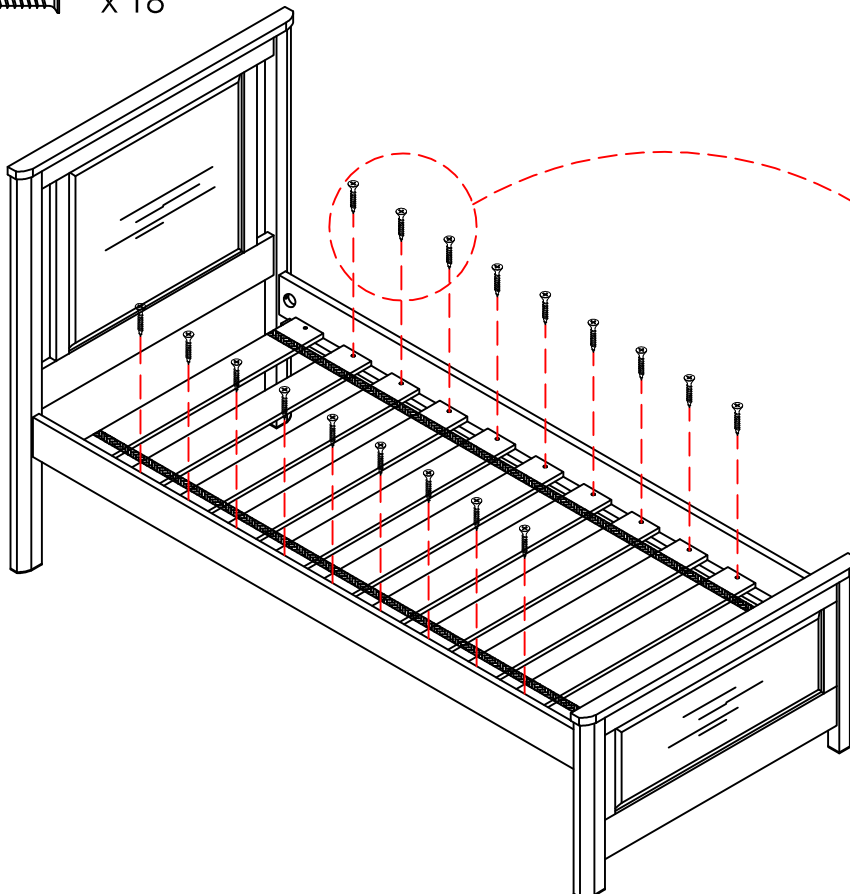
STEP 3

- ①  x 4
- ⑥  x 1

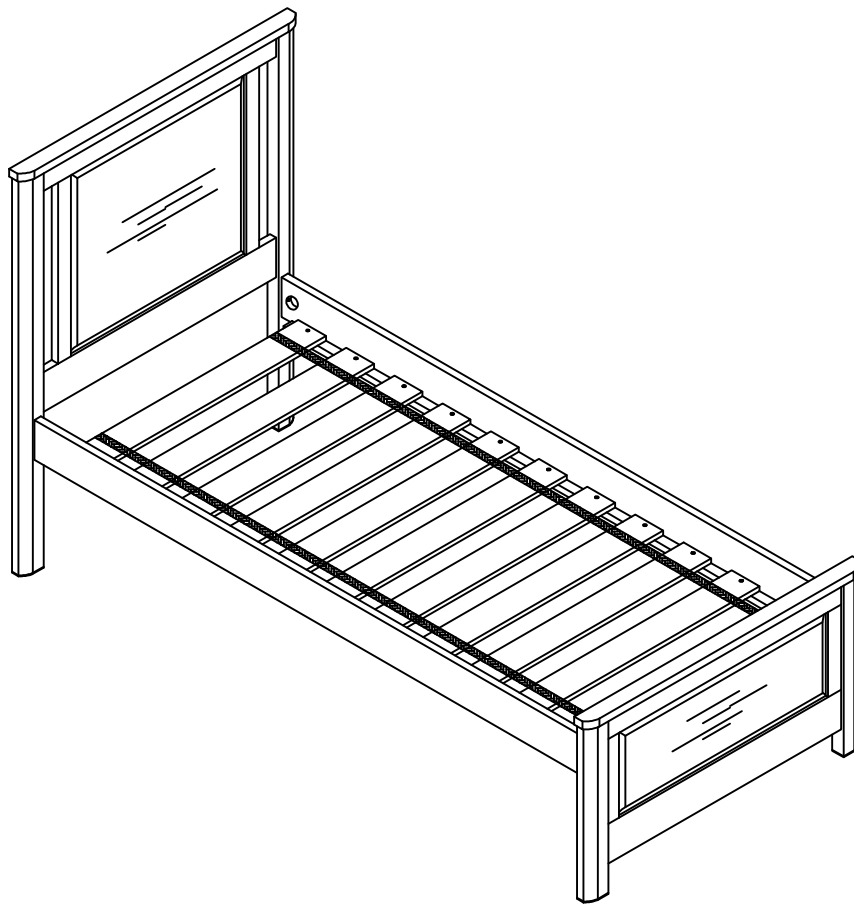


STEP 4

- ②  x 18



## COMPLETE ASSEMBLY FOR TEEN BED.



### **Cleaning :**

Using a clean, washable cloth made of soft, lint-free cotton, such as an old T- shirt. (The cloth should have no buttons, zippers or anything that could scratch furniture surfaces. ) The fabric should be moistened with water or cleaning agent, but just enough to make dust adhere to it; if you can see any trace of liquid on the wood after you wipe, your cloth is too damp. Alternatively, you can use another cloth to remove the excess moisture.

### **Maintenance :**

#### **Periodic Structural Checks**

The most important thing that you can do is to keep a close eye on the structure and stability of the bed. Give it a thorough once over every two-three months to check for loose, nuts, bolts and other connectors. Repair and replace any part that seems loose or faulty. This will keep the bed stable and secure at all times.