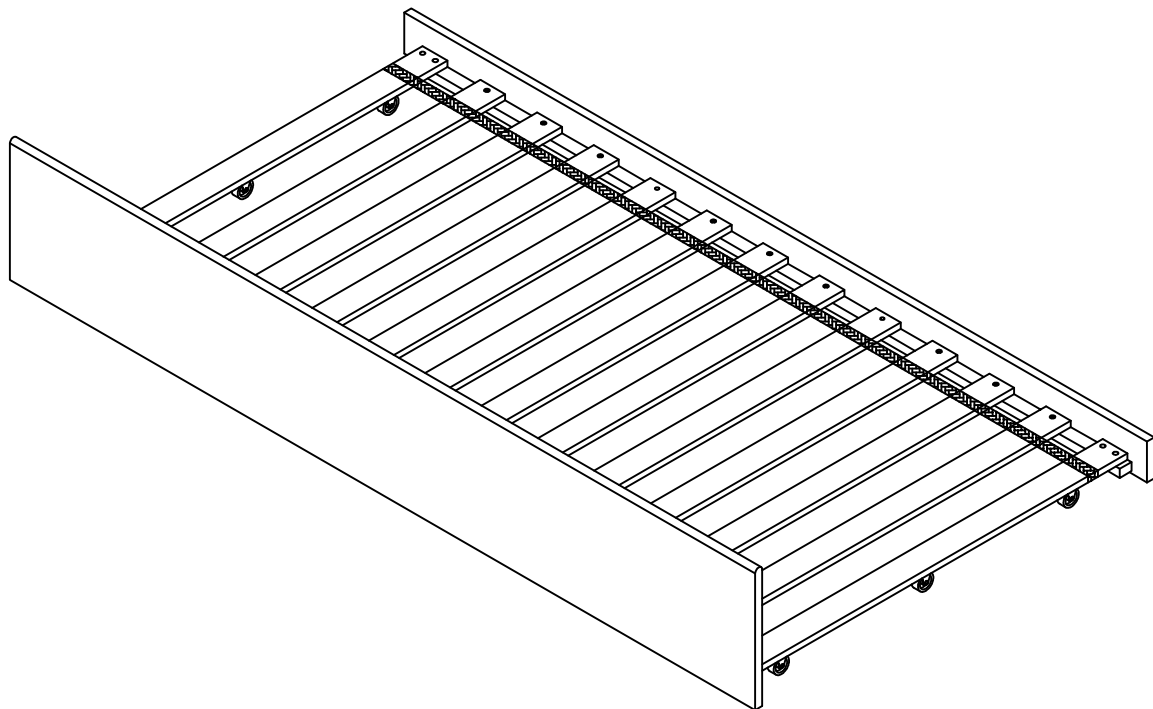


orbelle.

347 Clinton Street
Hempstead NY 11550
Tel : 516-481-1500
See More : www.orbelle.com

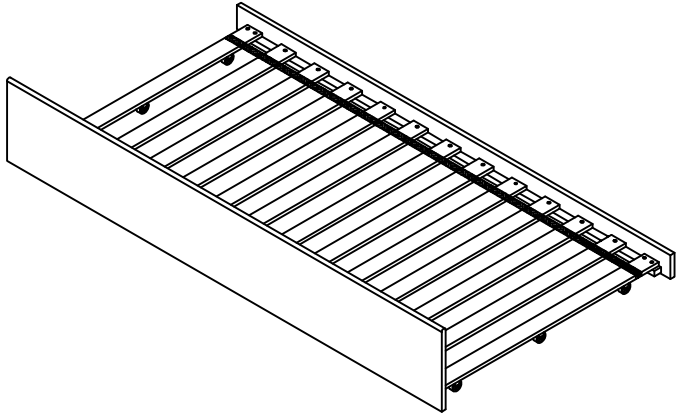
TRUNDLE : 3733 / 3739 TRUNDLE WITHOUT SIDES



ONLY FOR ILLUSTRATION

MADE IN MALAYSIA

ASSEMBLY INSTRUCTIONS



ASSEMBLY TIPS

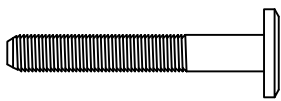
1. Remove hardware from box and sort by size.
2. Please check to see that all hardware and parts are present prior start of assembly.
3. Please follow attached instructions in the same sequence as numbered to assure fast and easy assembly.



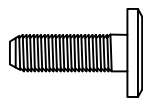
Warning !

1. Don't attempt to repair or modify parts that are broken or defective. Please contact the store immediately.
2. This product is for home use only and not intended for commercial establishments.

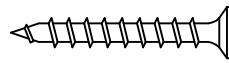
HARDWARE LIST



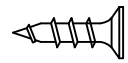
(1) JCBC M6 x 35mm
8pcs



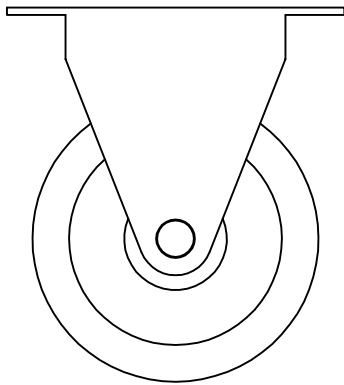
(2) JCBC M6 x 16mm
4pcs



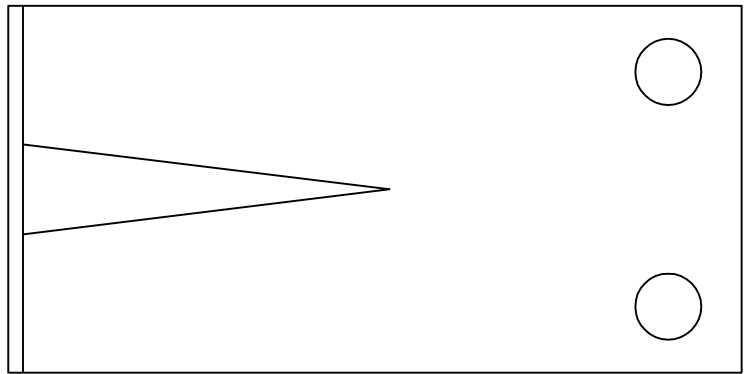
(3) WOOD SCREW
M4.0 x 30mm
22pcs



(4) WOOD SCREW
M3.5 x 16mm
24pcs



(5) WHEEL
6pcs



(6) BRACKET
2pcs

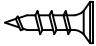



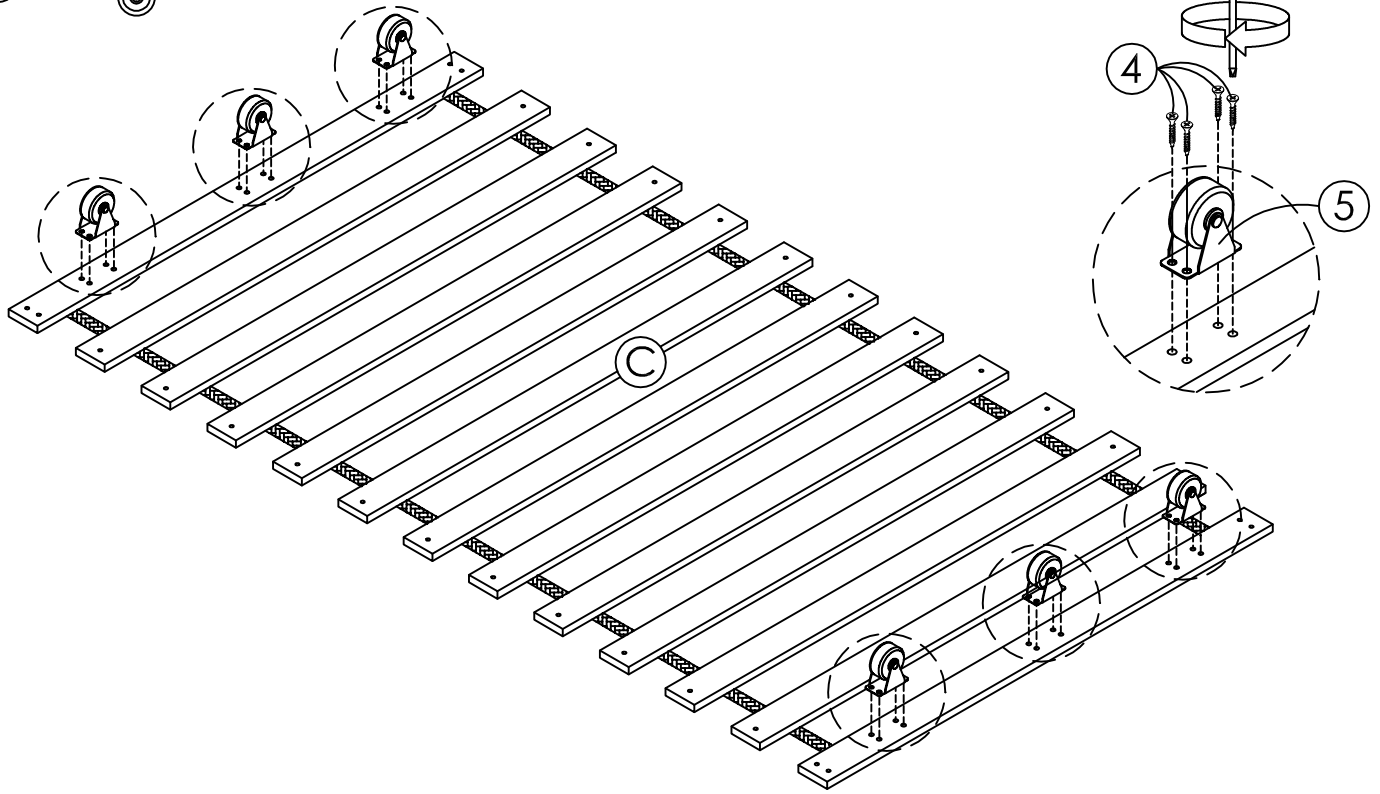
(7) ALLEN KEY
M4
1pc

COMPONENT LIST


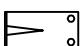
<p>A</p> <p>FRONT PANEL</p>	<p>1 pc</p>
<p>B</p> <p>BACK PANEL</p>	<p>1 pc</p> <p>SLAT</p>

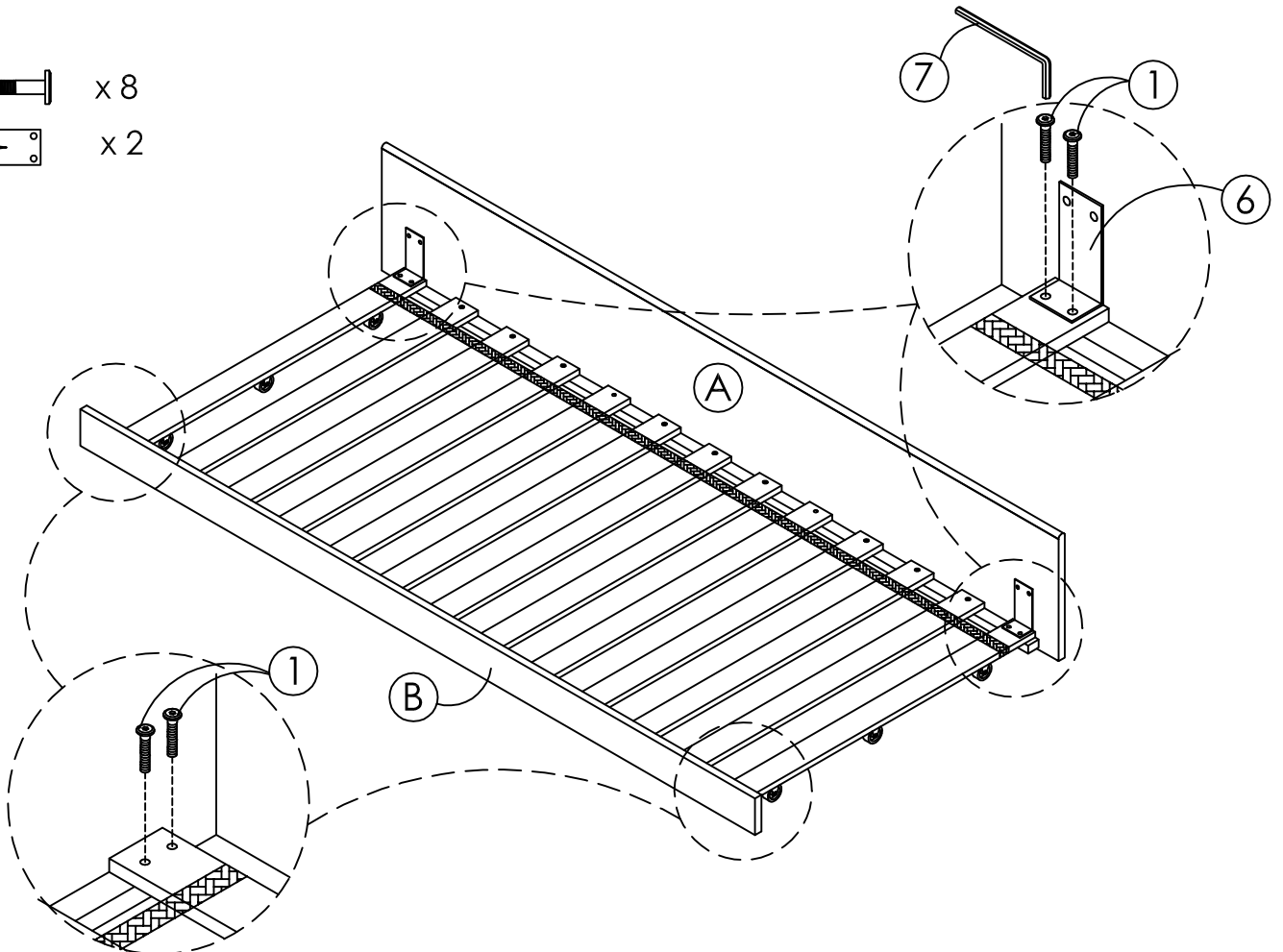
STEP 1

- ④  x 24
- ⑤  x 6




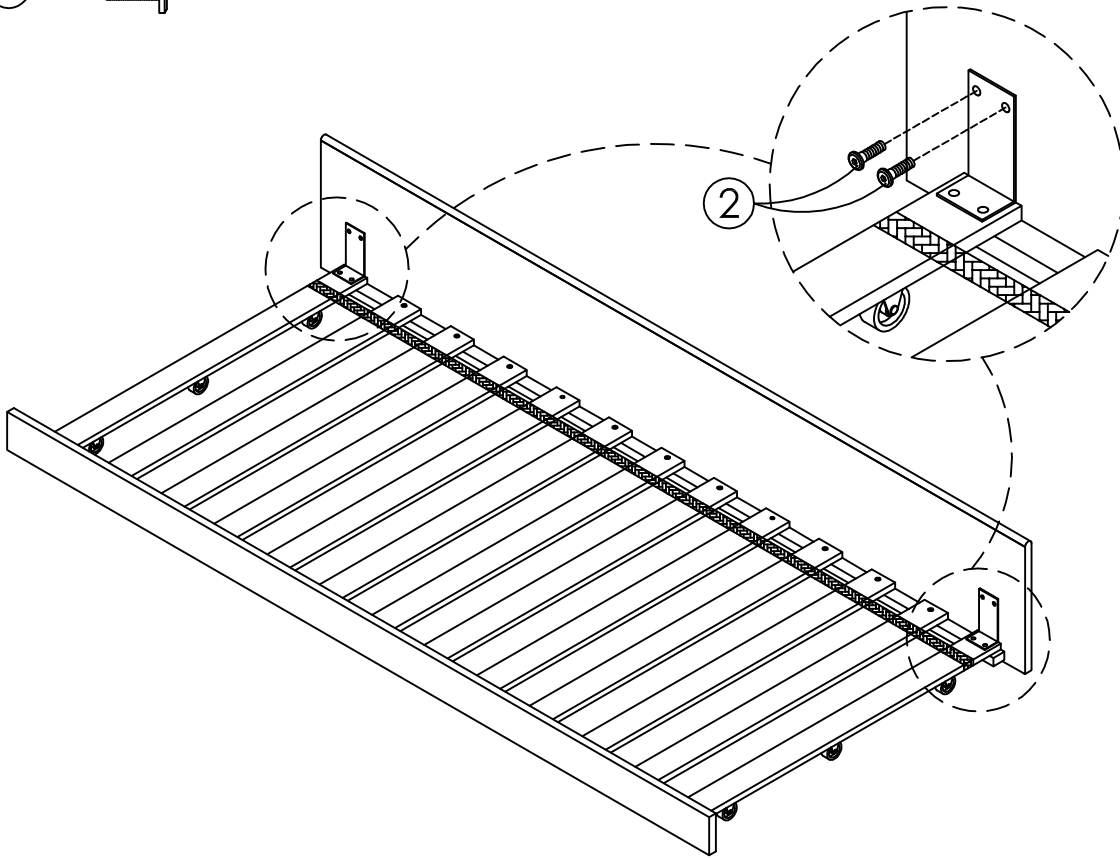
STEP 2

- ①  x 8
- ⑥  x 2



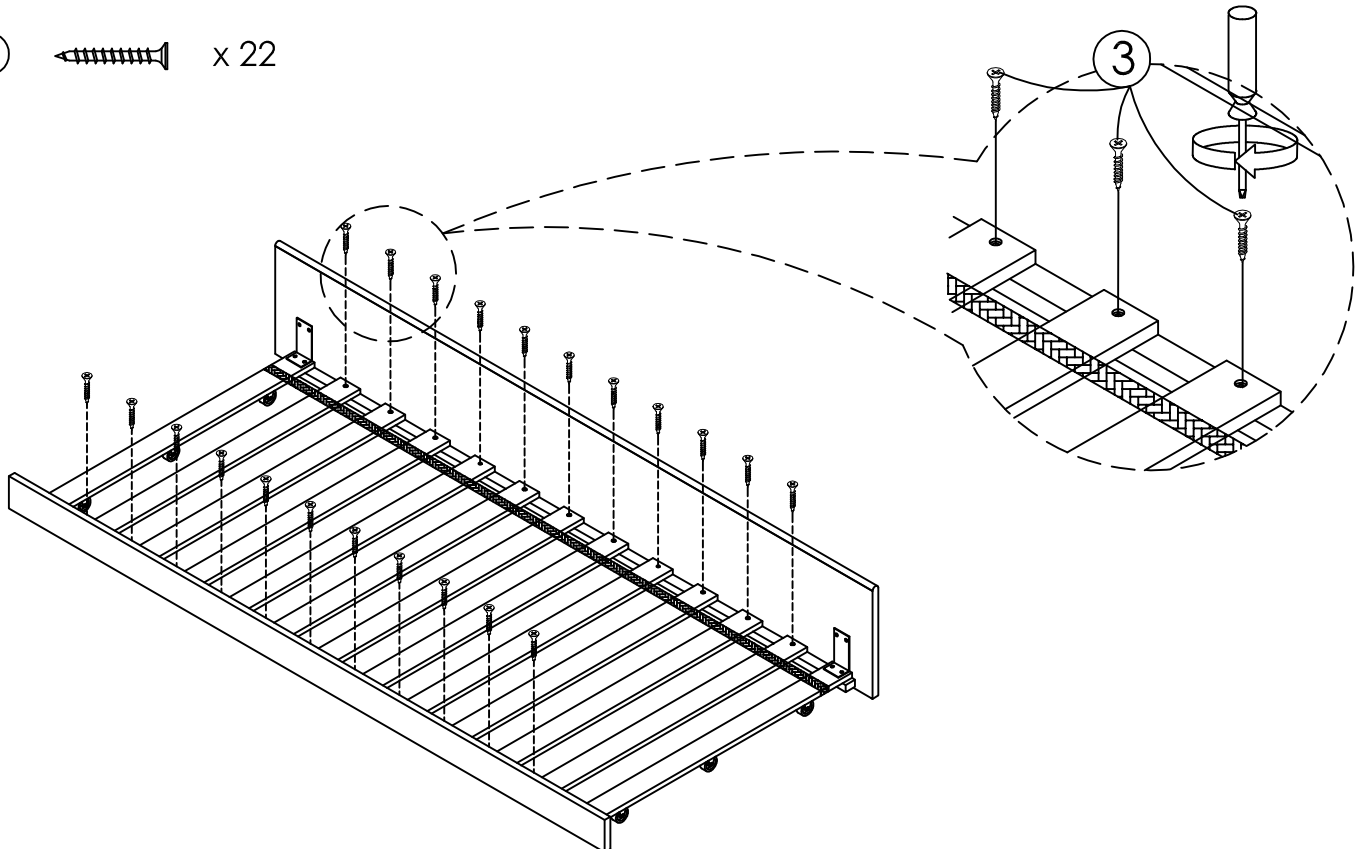
STEP 3

②  x 4

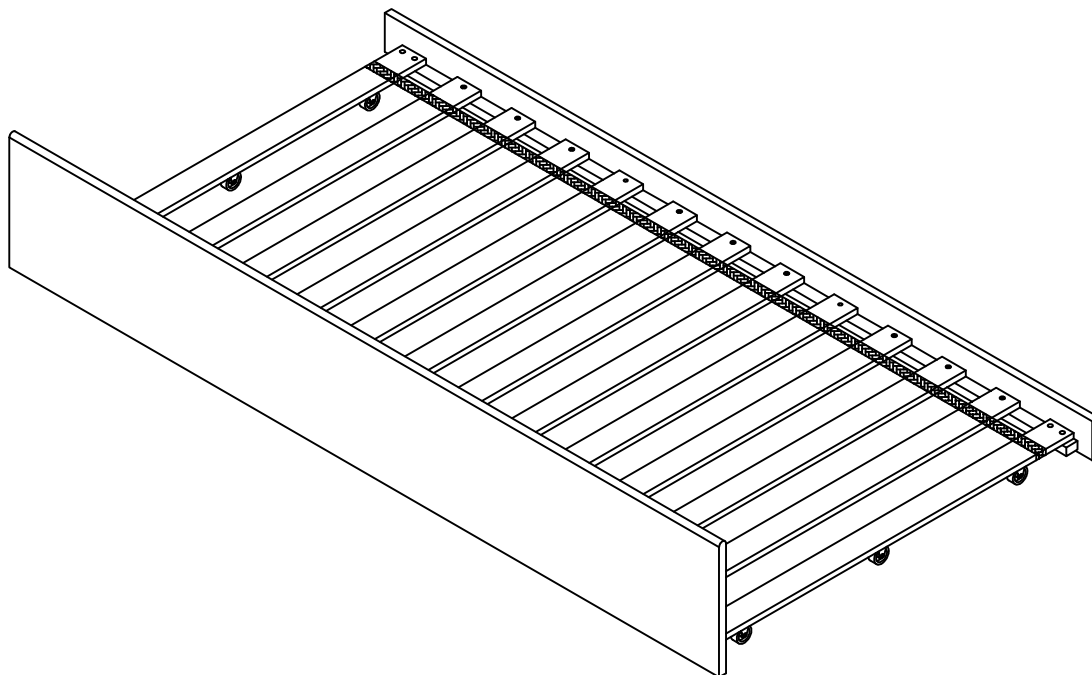


STEP 4

③  x 22



STEP 5 COMPLETE ASSEMBLY FOR TRUNDLE BED.



Cleaning :

Using a clean, washable cloth made of soft, lint-free cotton, such as an old T- shirt. (The cloth should have no buttons, zippers or anything that could scratch furniture surfaces.) The fabric should be moistened with water or cleaning agent, but just enough to make dust adhere to it; if you can see any trace of liquid on the wood after you wipe, your cloth is too damp. Alternatively, you can use another cloth to remove the excess moisture.

Maintenance :

Periodic Structural Checks

The most important thing that you can do is to keep a close eye on the structure and stability of the bed. Give it a thorough once over every two-three months to check for loose, nuts, bolts and other connectors. Repair and replace any part that seems loose or faulty. This will keep the trundle stable and secure at all times.